



HARDING
STEEL

CARPARK® VTS-2

Two-level Dual-Platform Vehicle Transport System

For Discriminating Residences, Estates and Select Commercial Applications



World Class Lifts Since 1968



CARPARX VTS-2 by Harding Steel

The world's finest inground parking systems

The Harding Steel CARPARX VTS-2 (Vehicle Transport System) is a first-of-its-kind hydraulic lift system designed for transporting vehicles from street level to subterranean parking areas below grade. The system has been expressly designed for private residences and small commercial applications where valuable vehicles need to be safely transported to underground motorcourts or parkades for storage or display.

The VT-2 system uses the same single scissors hydraulic undercarriage as our popular VTS-1 system, however the VTS-2 machine incorporates a second platform that serves to fill the opening at the grade level when the machine is lowered into the sub basement area. The upper platform system employs a patent pending telescope design that allows the platform to separate from the lower platform as the lower platform is lowered into the basement. This design creates a new level of safety and security in homes where an open hole in the floor of the garage creates a safety risk or design obstacle for the homeowner. The second platform also provides a permanent parking place at grade level when the VTS-2 is lowered in to the basement.

CARPARX VTS-2 is a safe, cost effective way to move vehicles from one level to another, while both minimizing design challenges and creating additional parking. While not designed for commercial "vehicle elevator" applications or for large multi-family dwellings, it is extremely effective for low-volume vehicle transport applications in private home, estates, boutique hotels, or small multi-family dwellings. Floor-to-floor transport distances normally vary from 9' to 12'. The VTS system is strictly an unmanned system and is not intended for transporting people or for transporting vehicles with passengers aboard.

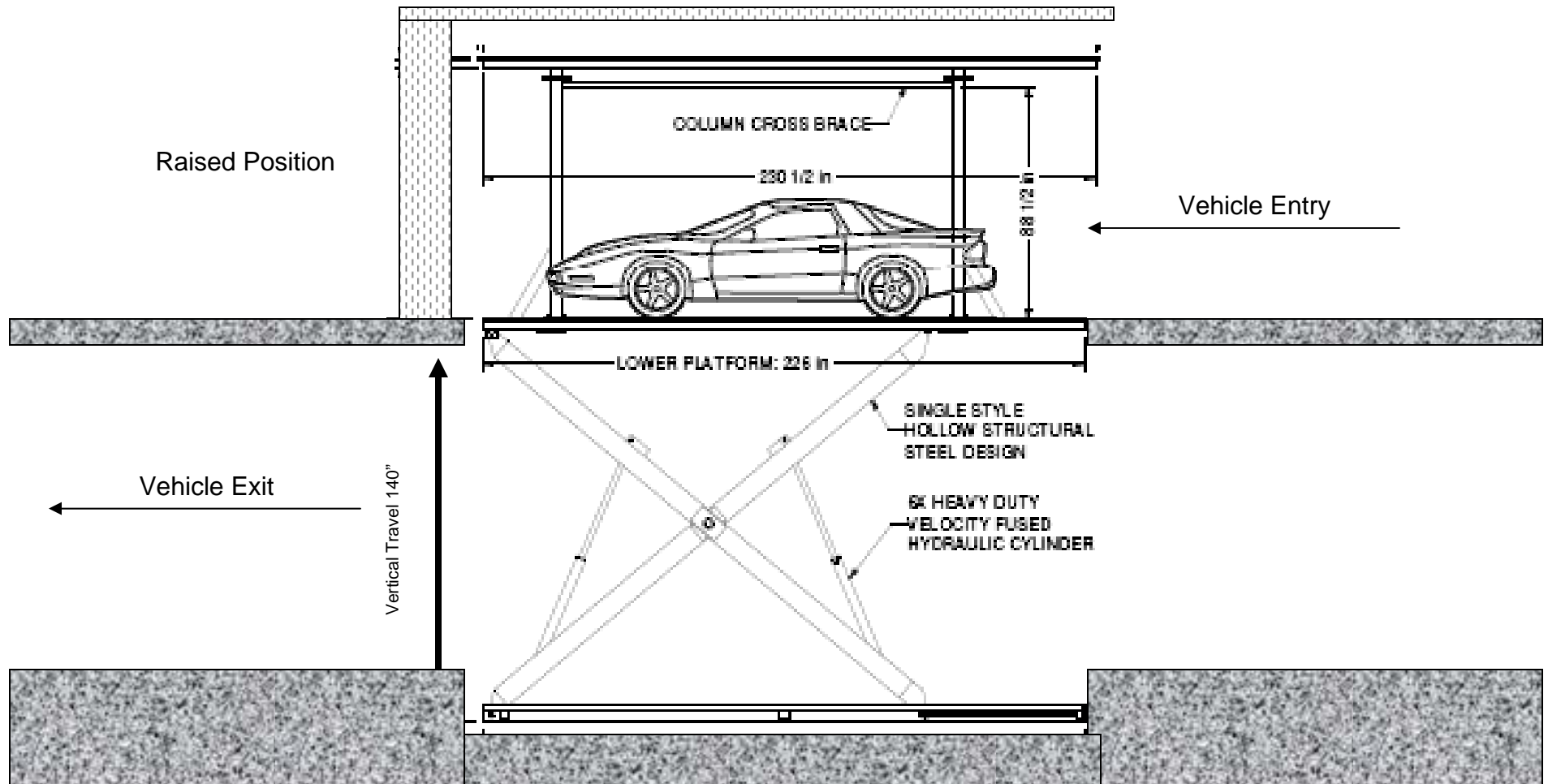
Designed and built in North America, the Harding Steel CARPAR X© VTS-2 can be customized to meet the exacting demands of our client's projects. Length of platforms, width of platforms, and vertical rise dimensions can be custom configured. Each VTS-2 system is build-to-order and installed by Harding Steel at each client location.





**HARDING
STEEL**

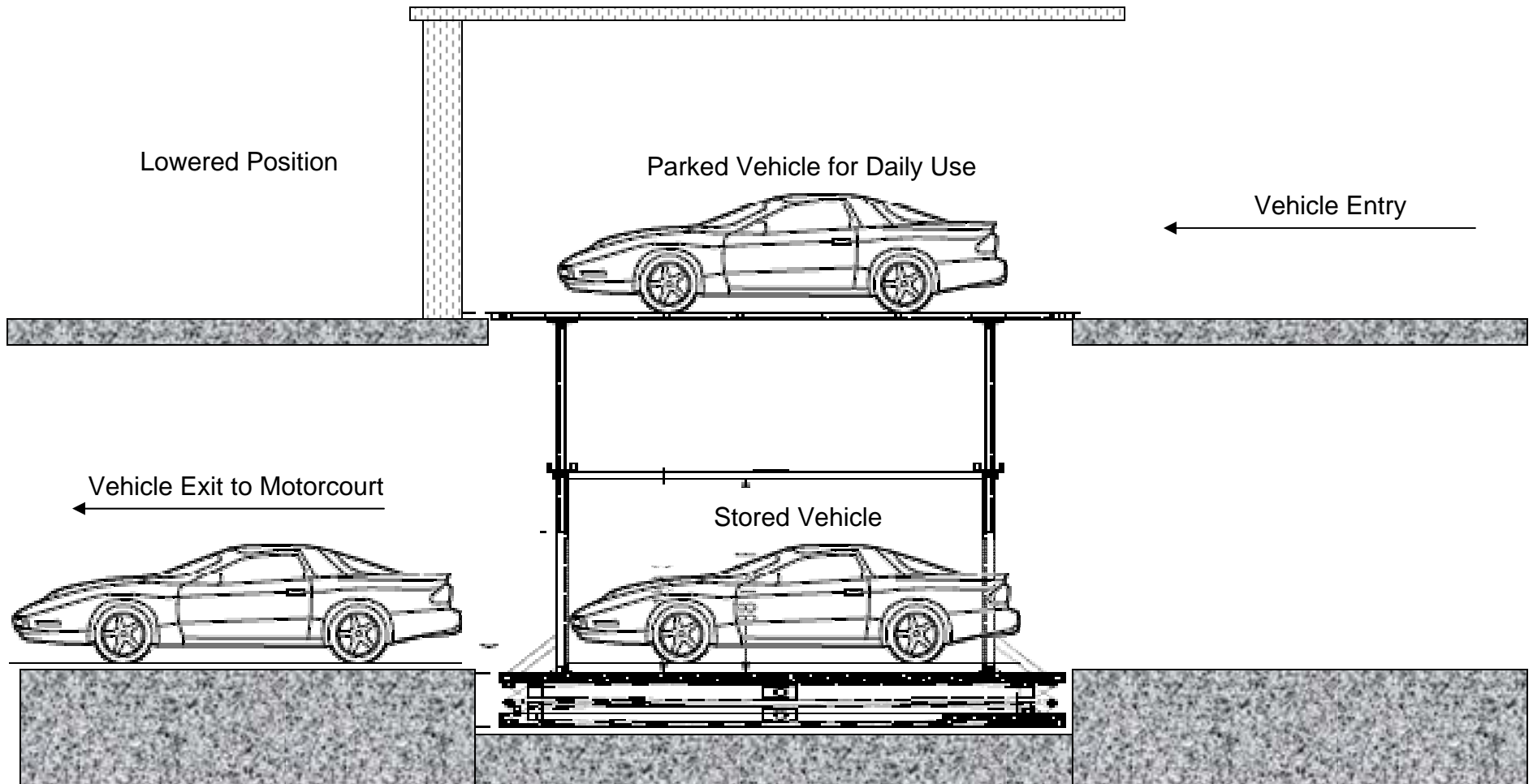
CARPARX VTS-2 Dual Platform Vehicle Transport System





HARDING
STEEL

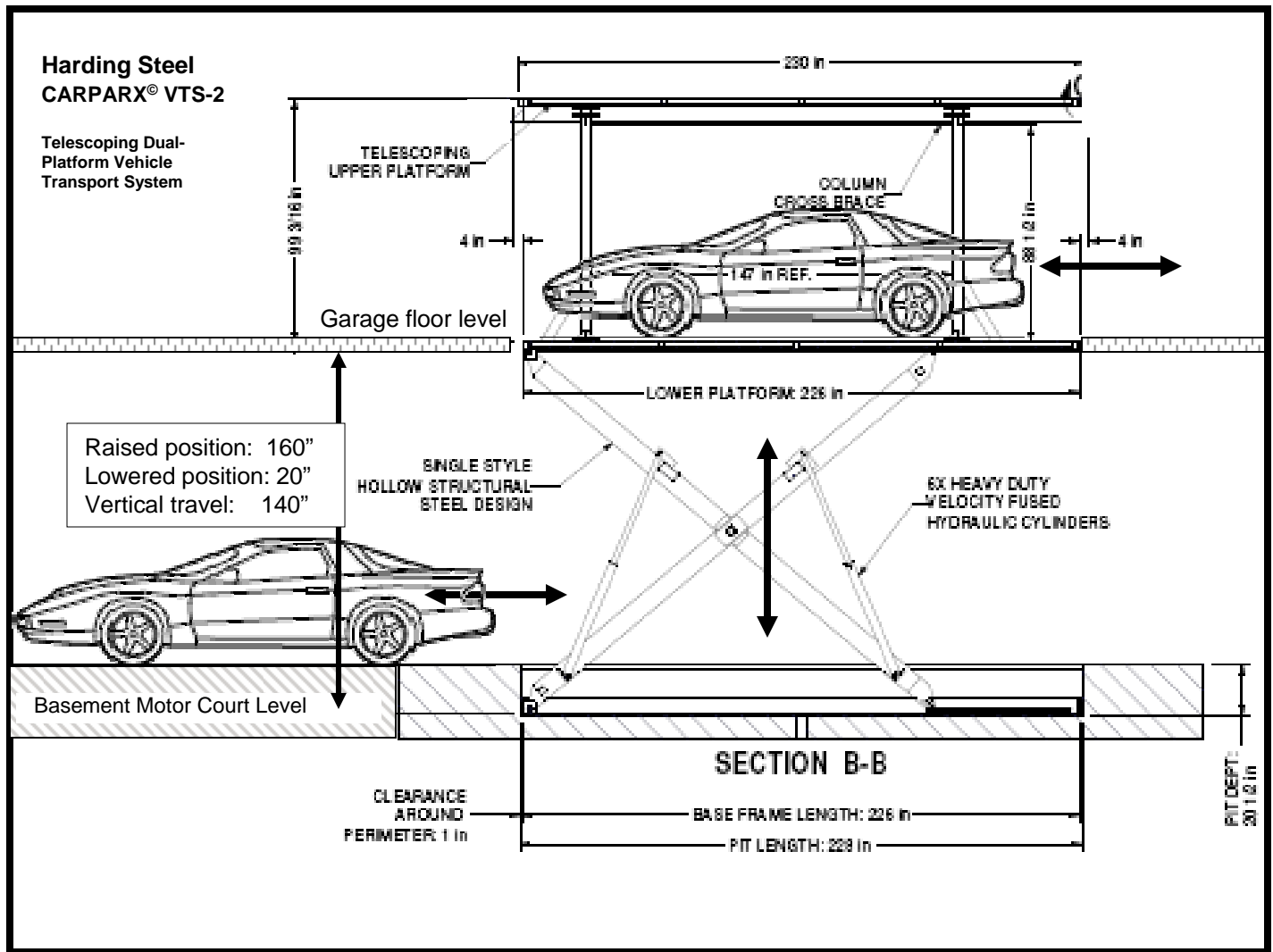
CARPARX VTS-2 Dual Platform Vehicle Transport System





**HARDING
STEEL**

Harding Steel CARPARX VTS-2





Harding Steel CARPARX VTS-2

Features

- 100% premium steel construction
- Commercial grade design and materials
- Single, high-capacity scissors architecture for unsurpassed stability
- Four high-capacity hydraulic cylinders
- Lower level transport platform can move vehicles weighing up to 7500 pounds.
- Telescoping upper level platform creates a protective steel plate over the opening in the garage floor that will also support a vehicle weighing up to 6000 pounds for day-to-day parking.
- Suitable for indoor installation
- 220V high flow hydraulic power pack and controls
- Oversized all diamond-plate steel platforms handle full size SUVs and trucks
- Quality enamel paint finish throughout
- Mechanical locking system for the upper position

Safety

- Platform is free of all trip hazards, pit gaps, or protruding columns
- Key-operated control switches for security and safety
- Hydraulic velocity fuses on all cylinders
- Automatic shut-off if operator releases the key-switch
- Wiring block for integrating safety interlock devices
- Optional sensor and interlock kits available
- Seismic certified in the State of California
- Transport systems must be properly enclosed and/or gated for safe operation.

Product - Construction Dimensions and Specifications

Standard Lower Platform Length	226"
Standard Lower Platform Width	94"
Standard Upper Platform Length (at surface)	234"
Standard Upper Platform Width (at surface)	102"
Maximum height of lower platform in raised position	160"
Maximum vertical lift distance	140"
Maximum vehicle load (lower platform)	7500 lbs
Approximate Machine weight (empty)	10000 lbs
Interplatform distance (raised)	96"
Interplatform distance (lowered)	136"
Finished Garage Floor Opening Dimensions:	
Finished opening - width (requires construction detail)	95"
Finished opening - length (requires construction detail)	227"
Basement Mini-pit Dimensions:	
Mini pit finished length	228-230"
Mini-pit finished width	96-98"
Mini-pit finished depth	20.5"
Power:	
208-220V Single Phase 30 amp	
208-220V Threephase for lifting multiple vehicles	

All measurements are subject to change with final shop drawings