



**HARDING
STEEL**

CARPARX[®] VTS-1

Two-level Single-Platform Vehicle Transport System

For Discriminating Private Residences, Estates and Select Commercial Applications

Designed for today's largest cars, trucks and vintage automobiles



World Class Lifts Since 1968



CARPARX VTS-1 by Harding Steel

The world's finest inground parking systems

The Harding Steel VTS-1 (Vehicle Transport System) is a first-of-its-kind hydraulic lift system designed for transporting vehicles from street level to subterranean parking areas below grade. Expressly designed for private residences and automobile showrooms, this machine is ideally suited for applications where valuable vehicles need to be safely transported to underground motorcourts or parkades for storage or display. The VTS-1 is a safe, versatile machine that can be customized to fit the most exacting applications

CARPARX VTS-1 is an attractive, cost effective way to move vehicles from one level to another. While not designed for commercial "vehicle elevator" applications or for large multi-family dwellings, it is extremely effective for low-volume vehicle transport applications in private home, estates, boutique hotels, or small multi-family dwellings. Floor-to-floor transport distances normally vary from 8' to 12'. The VTS system is strictly an unmanned system and is not intended for transporting people or for transporting vehicles with passengers aboard.

Designed and built in North America, the Harding Steel CARPARX VTS-1 can be customized to meet the exacting demands of our client's projects. Length of platforms, width of platforms, and vertical rise dimensions can be custom configured. Each VTS-1 system is build-to-order and installed by Harding Steel at each client location.

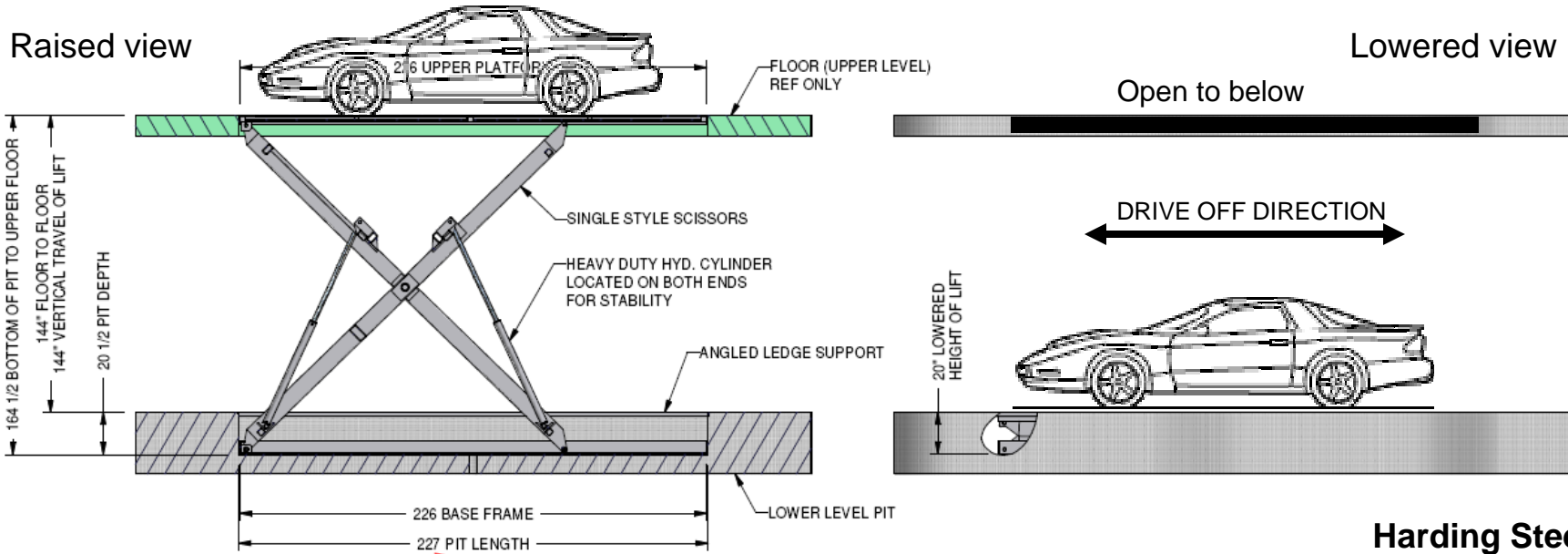




**HARDING
STEEL**

CARPARX VTS-1 by Harding Steel

The world's finest inground parking systems



NOTE:
 WEIGHT OF UNIT: 8000 LBS
 CAPACITY: 6000 LBS
 WEIGHT OF UNIT PLUS CAPACITY: 14000 LBS
 PIT HAS TO BE MADE TO CITY'S SPECIFICATIONS

SECTION A-A
 SCALE 0.02 : 1
 230" length recommended

Harding Steel
CARPARX VTS-1
 Two-level Vehicle Transport System
 For private residences and estates

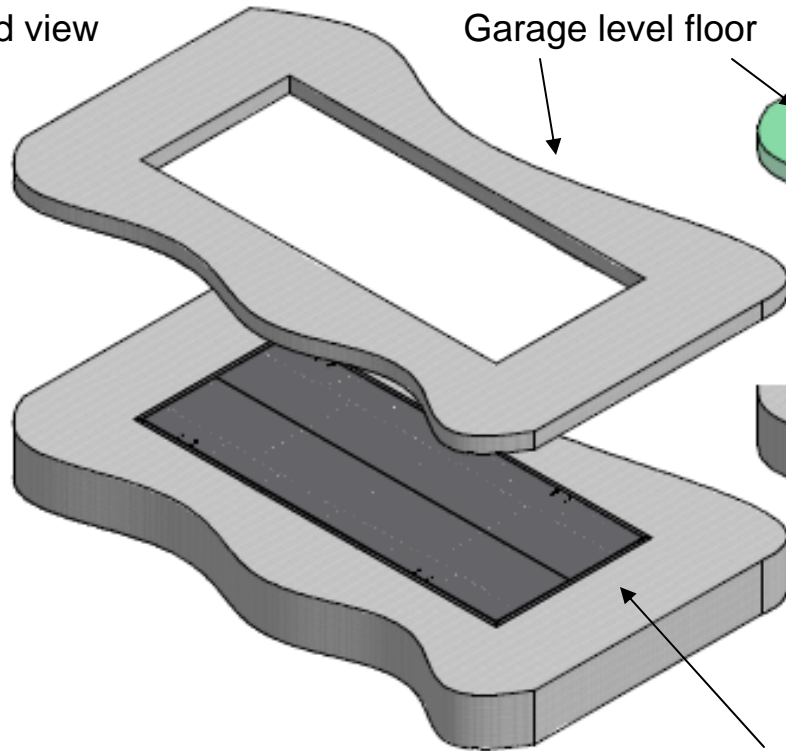
2011 MONTREAL STREET
 THUNDER BAY, ON
 P1C 3P2
 CANADA
 TEL: 807-474-6337
 FAX: 807-625-4550
 www.hardingsteel.com

1	2	3	4	5
---	---	---	---	---



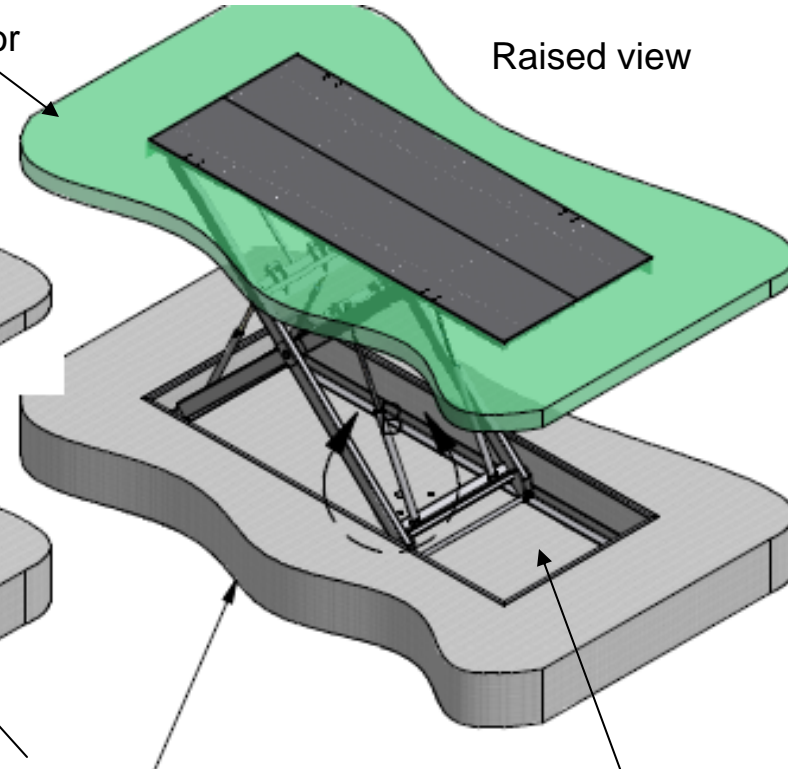
HARDING
STEEL

Lowered view



Garage level floor

Raised view



Basement or Motor court Floor

Mini-Pit in basement level slab

Harding Steel
CARPARX® VTS-1

Two-level Vehicle Transport System
For private residences and estates



Harding Steel CARPARX VTS-1

Features

- 100% premium steel construction
- Commercial grade design and materials
- Single, high-capacity scissors architecture for unsurpassed stability
- Four high-capacity hydraulic cylinders
- Self-standing, self-supporting unit
- Suitable for indoor installation
- 220V high flow hydraulic power pack and controls
- Oversized all diamond-plate steel platform
- Transport vehicles weighing up to 7500 pounds
- Quality enamel paint finish throughout
- Mechanical locking system for the upper position

Safety

- Platform is free of all trip hazards, pit gaps, or protruding columns
- Key-operated control switches for security and safety
- Hydraulic velocity fuses on all cylinders
- Automatic shut-off if operator releases the key-switch
- Wiring block for integrating safety interlock devices
- Optional sensor and interlock kits available
- Seismic certified in the State of California
- Transport systems must be properly enclosed and/or gated for safe operation.

Product - Construction Dimensions and Specifications	
Standard Platform Length	226"
Standard Platform Width	94"
Height of Machine in lowered position	20.5"
Maximum height in raised position	171"
Maximum vertical lift distance	148"
Maximum vehicle load	7500 lbs
Approximate Machine weight (empty)	8000 lbs
Finished Garage Floor Opening Dimensions:	
Finished opening - width	96"
Finished opening - length	228"
Basement Mini-pit Dimensions:	
Mini pit finished length	228-230"
Mini-pit finished width	96-98"
Mini-pit finished depth	20.5"
Power:	
208-220V Single Phase 30 amp	