

HARDING
AUTOPARK SYSTEMS



SPEC SHEET

CARPARX™ ST-2

Subterranean
Vehicle Parking and
Storage Systems

CARPARX™ ST-2

The original dual-scissors subterranean parking lift system: single-wide, single-deep unit for indoor or outdoor installation

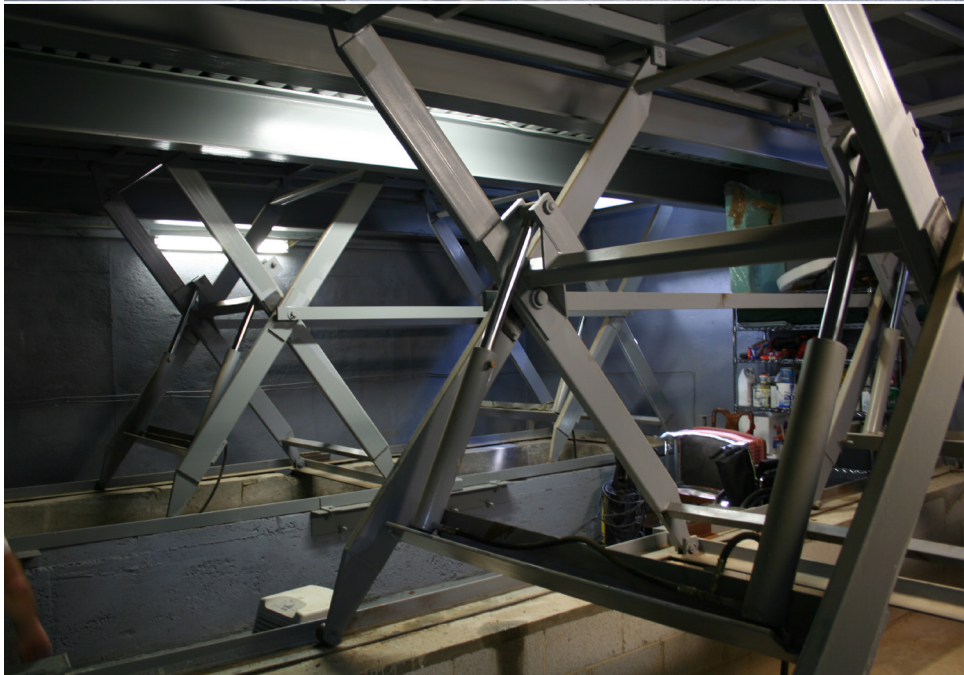
The Harding Autopark Systems ST-2 subterranean parking lift system is the original dual scissors inground hydraulic parking and Underground Vehicle Storage lift system for luxury residential and multi-family projects. The ST-2 has set the world-wide standard for safe underground storage of cars, SUVs, and specialty vehicles. The unique interlocked dual scissors and powerful hydraulic system provides smooth, safe, and quiet operation. The ST-2C is also suitable for limited outdoor applications (with custom site-specific modifications).

The CARPARX™ ST-2 Subterranean Parking Lift System by Harding Autopark Systems utilizes a dual scissors lifting system design with four (4) heavy duty, high capacity hydraulic cylinders per machine. The system is sized so as to provide parking or storage of two full size vehicles in a vertically stacked configuration. The system will lower one vehicle into a below ground pit or vault area for safe parking or long-term storage. Another vehicle may then be driven onto and parked on the upper platform of the parking system at grade level.

The ST-2C model is configured for outdoor application and is custom fabricated for site-specific needs. All Harding Autopark Systems inground parking systems are built-to-order and can be customized to meet the unique needs of each application.



CARPARX™
ST-2



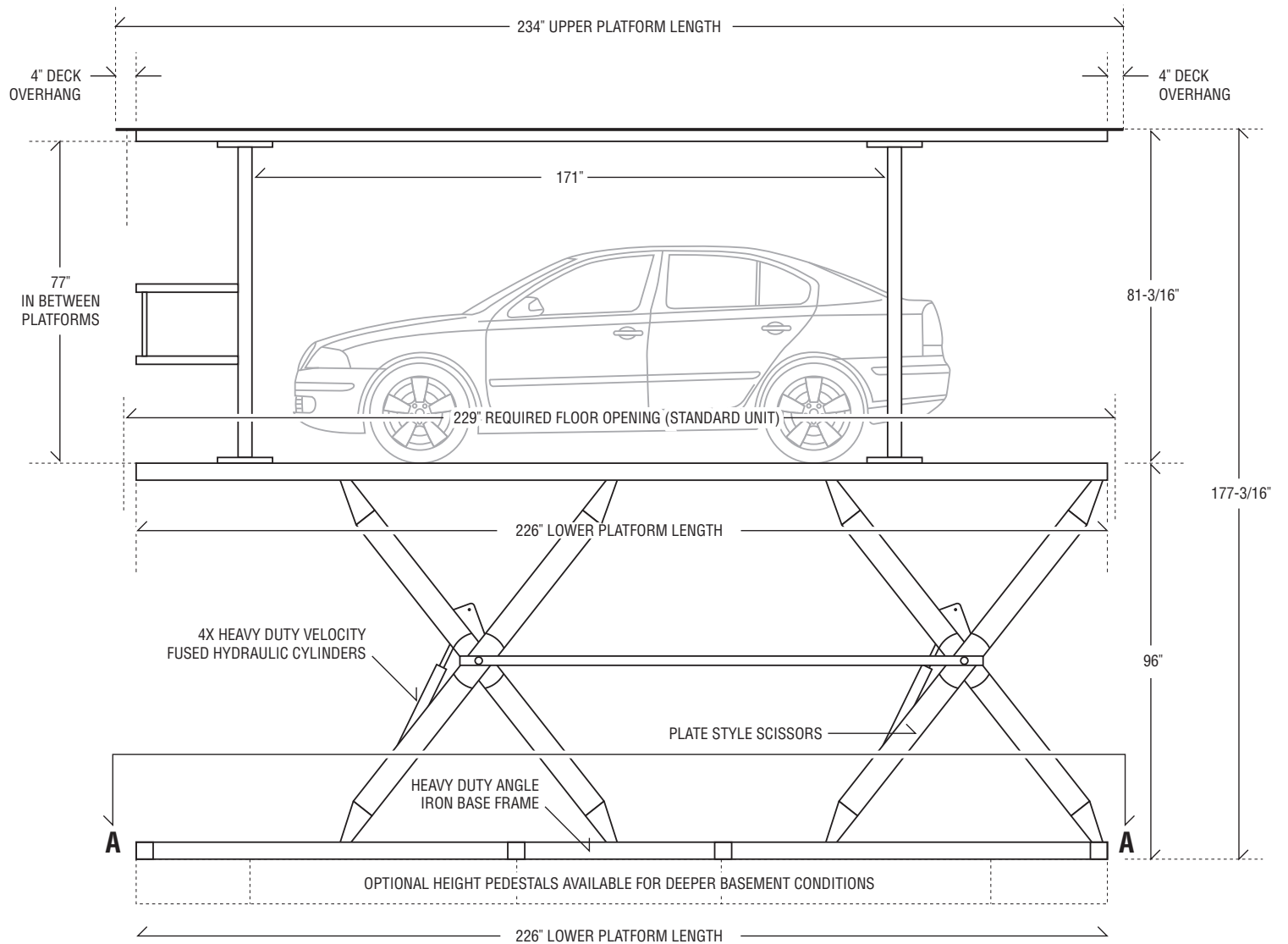


FIG.
1

SIDE ELEVATION
RAISED POSITION
PIT TOP GRADE

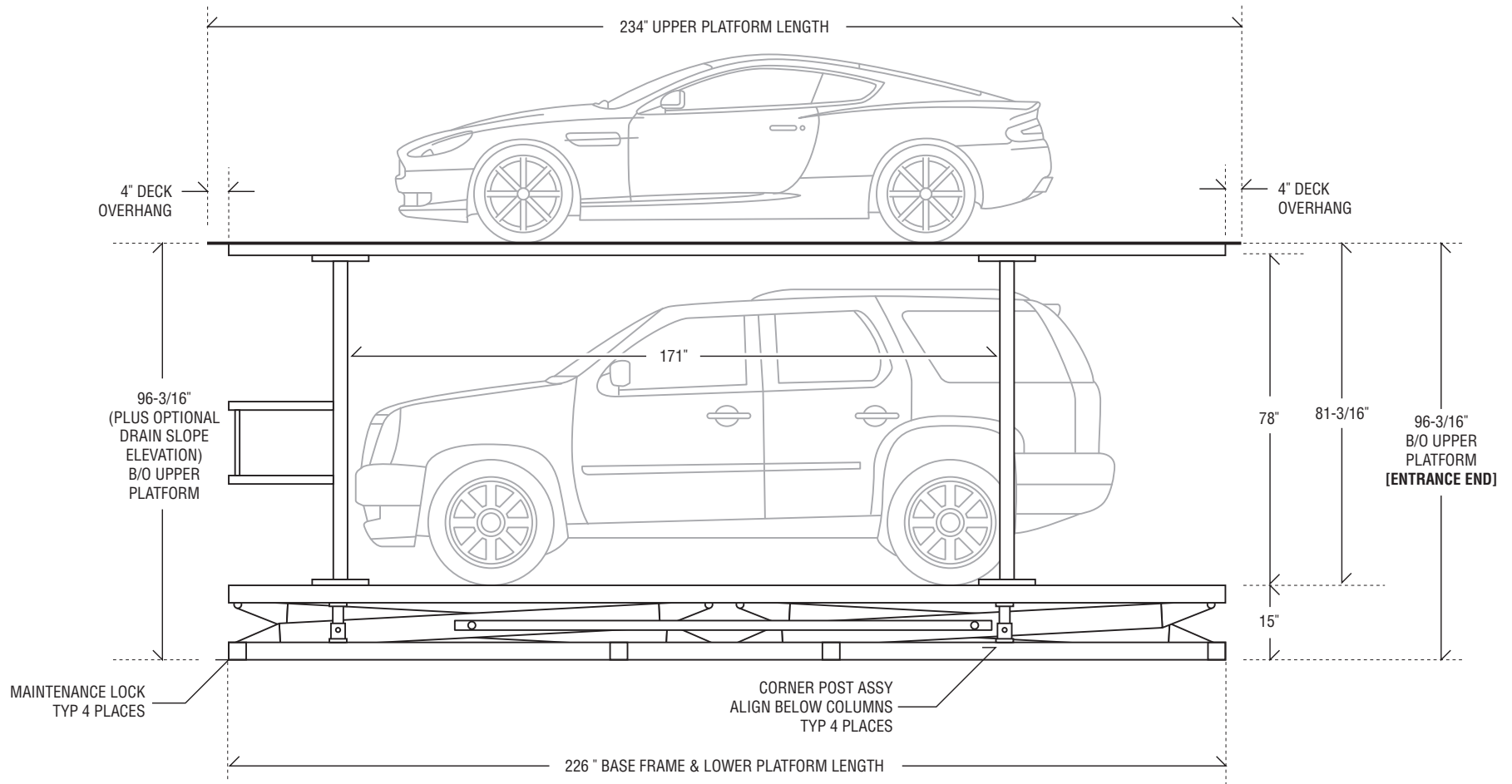
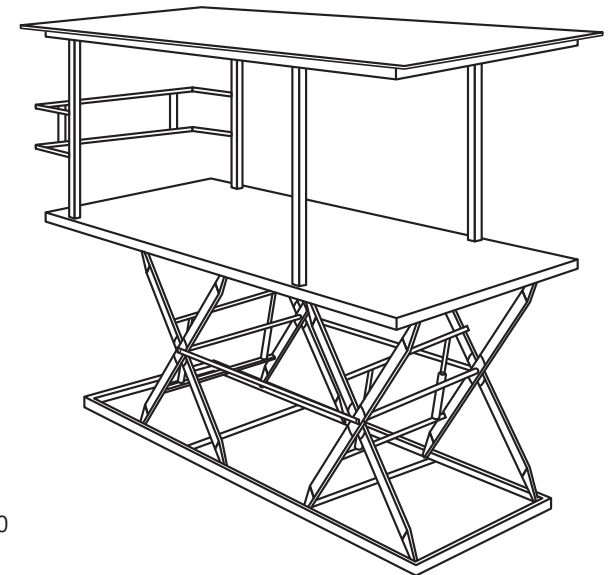
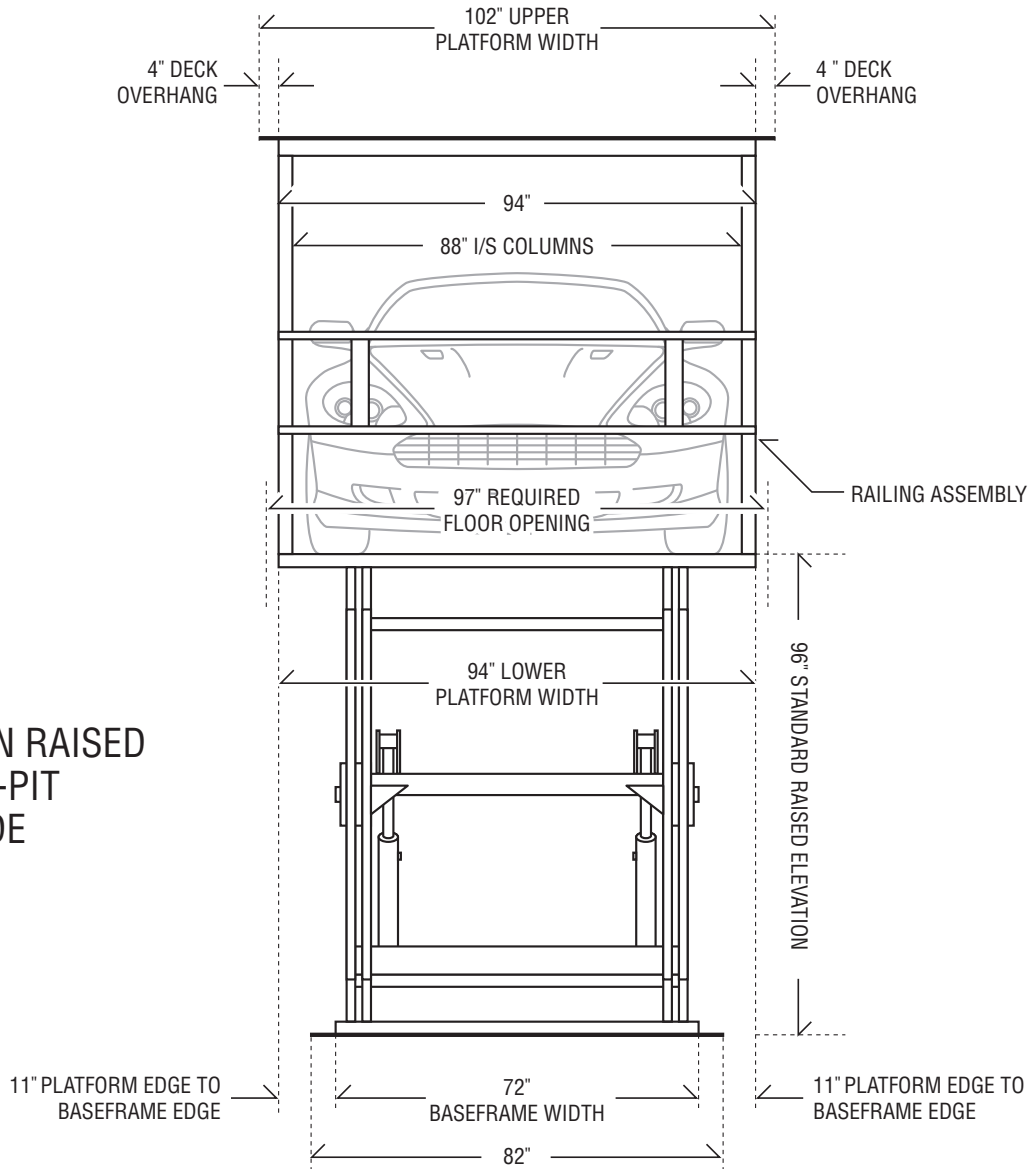


FIG. 2 SIDE ELEVATION LOWERED POSITION

**FIG.
3**

ELEVATION RAISED
POSITION-PIT
TOP GRADE



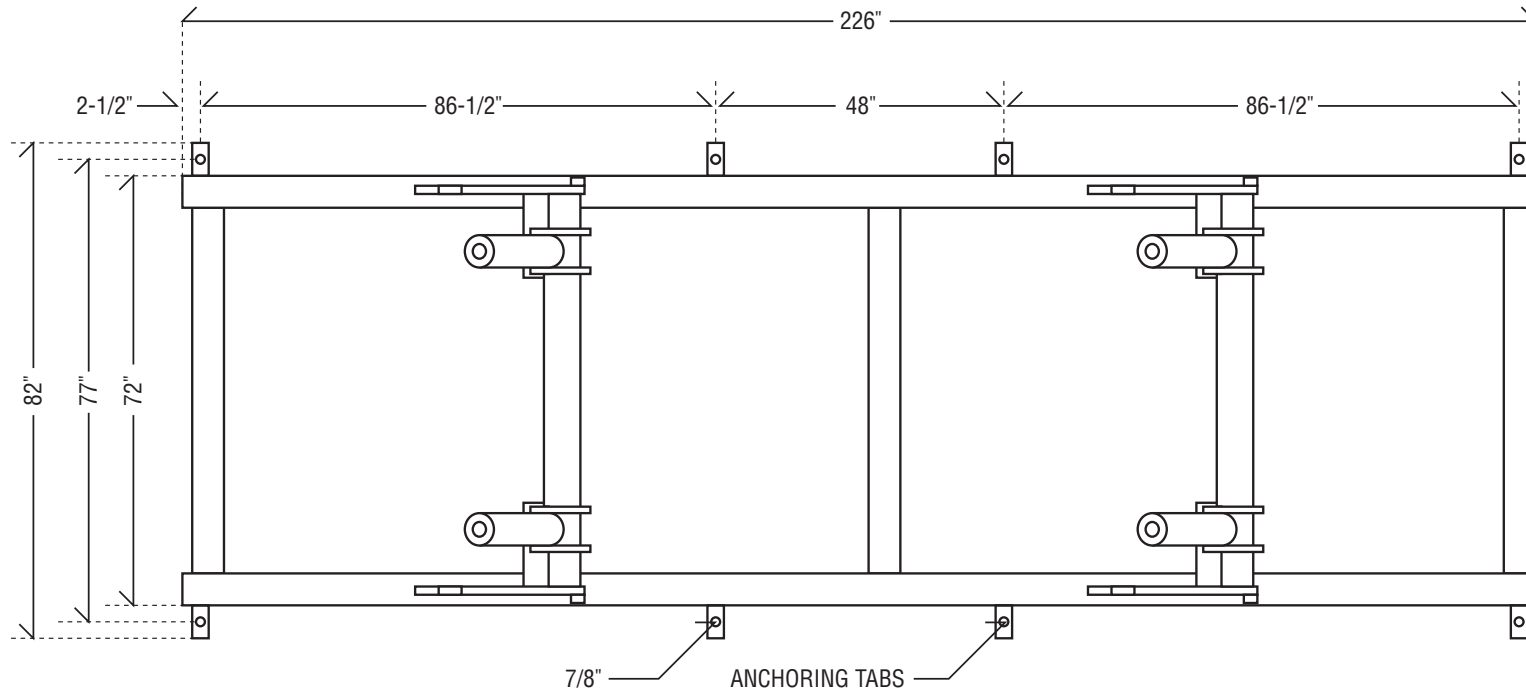
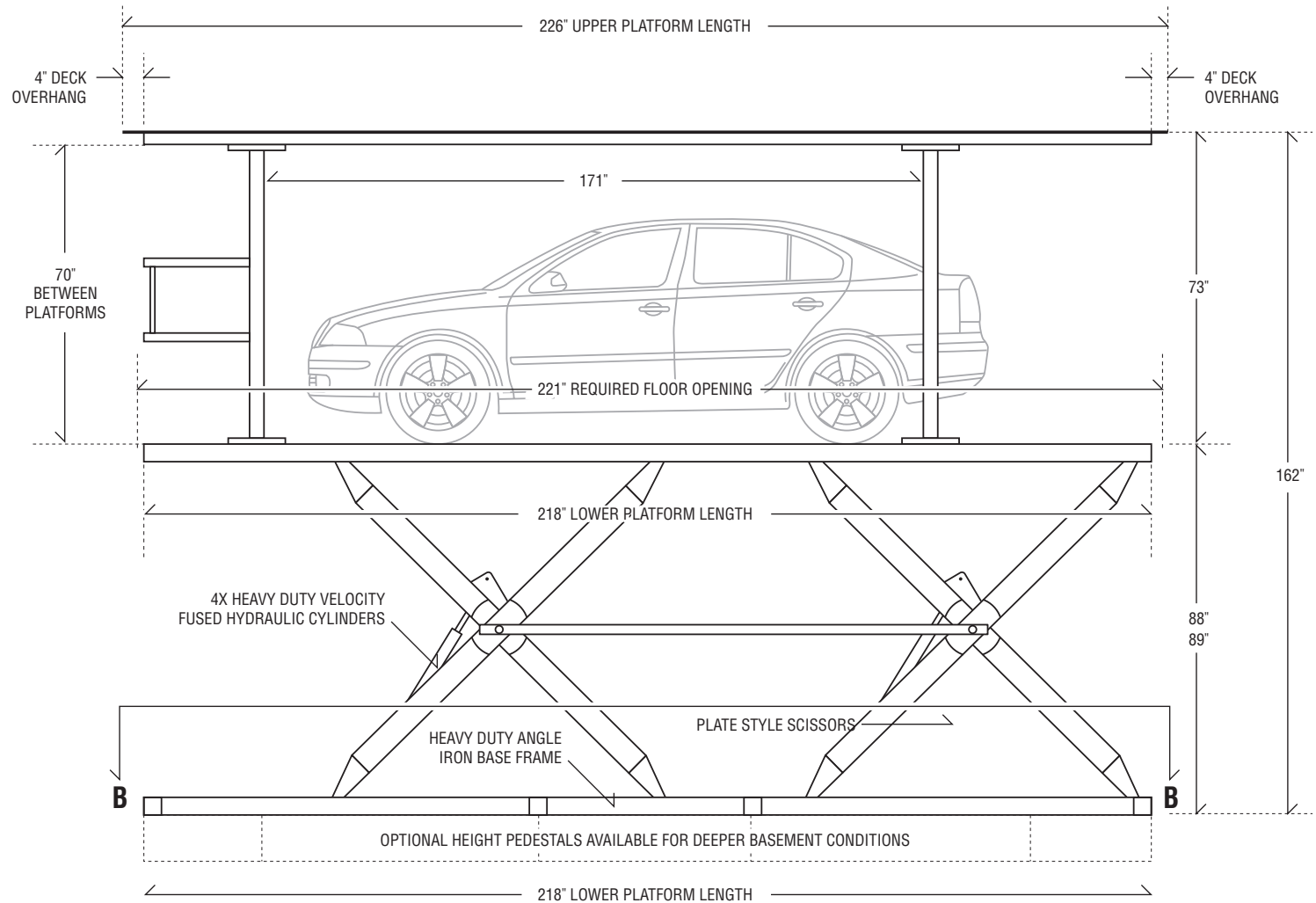


FIG.
4

BASE FRAME
DETAIL



**FIG.
5**

**SIDE ELEVATION
RAISED POSITION
PIT TOP GRADE**

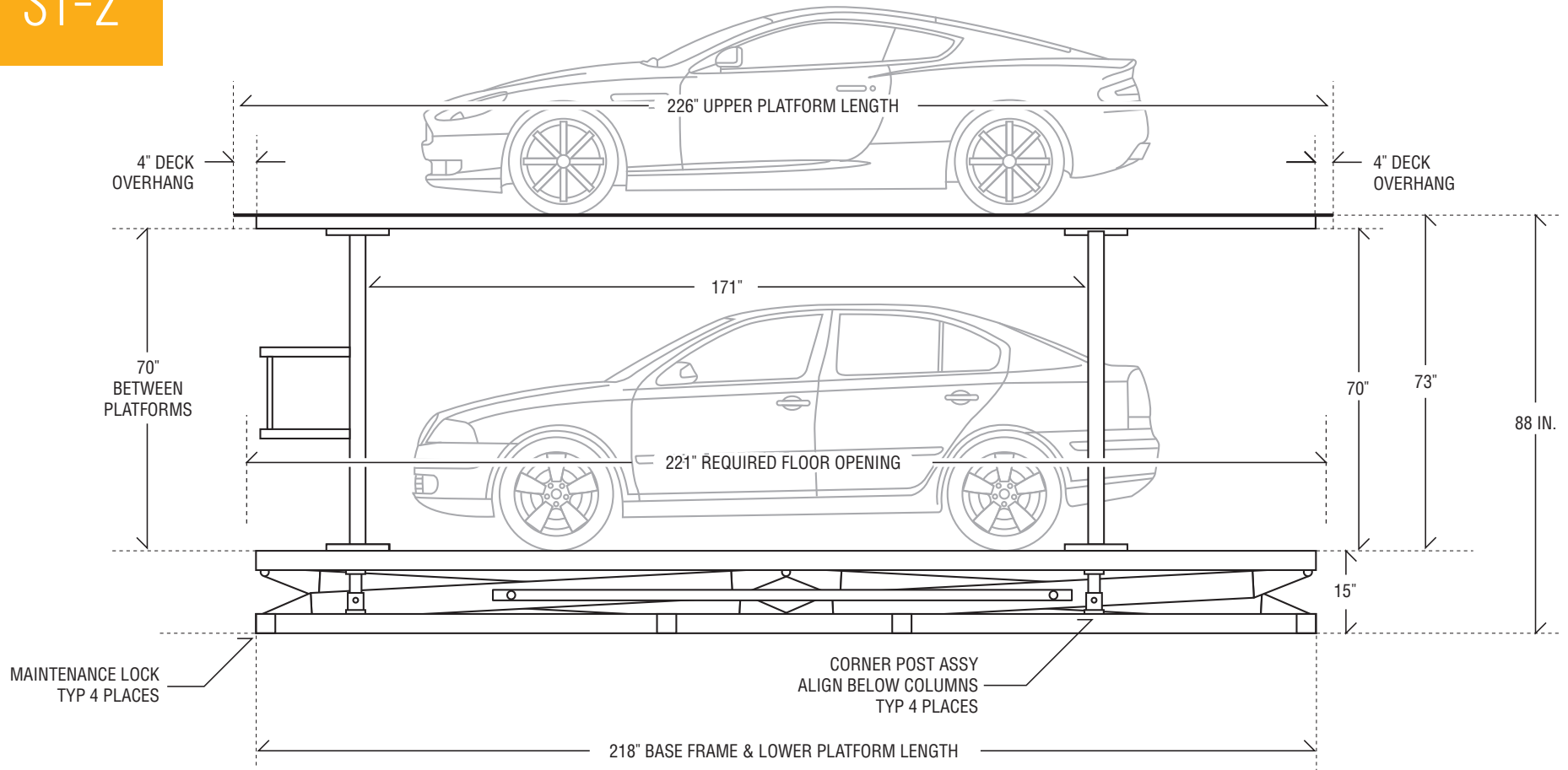


FIG.
6

SIDE ELEVATION
LOWERED POSITION

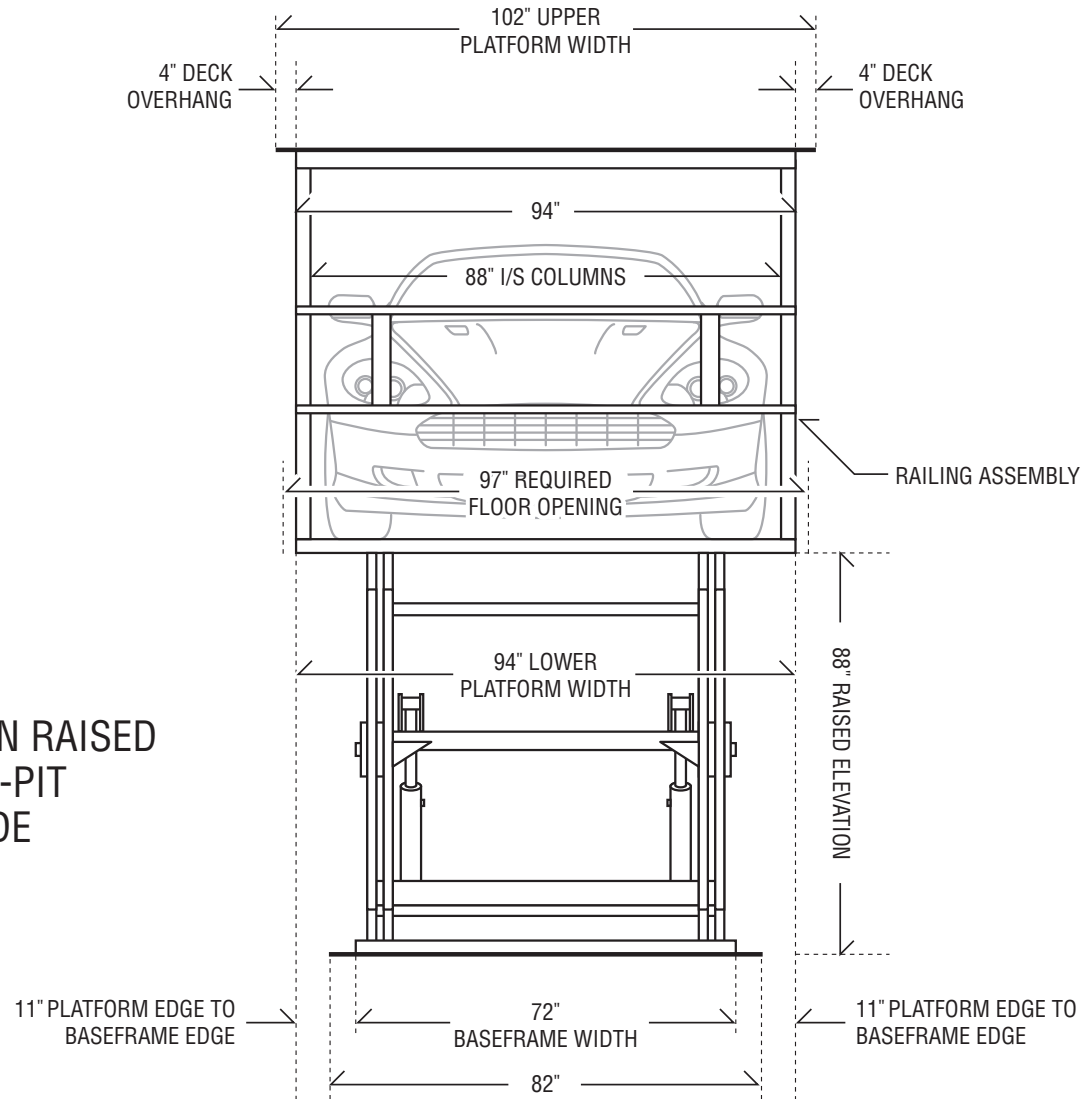


FIG.
7

ELEVATION RAISED
POSITION-PIT
TOP GRADE

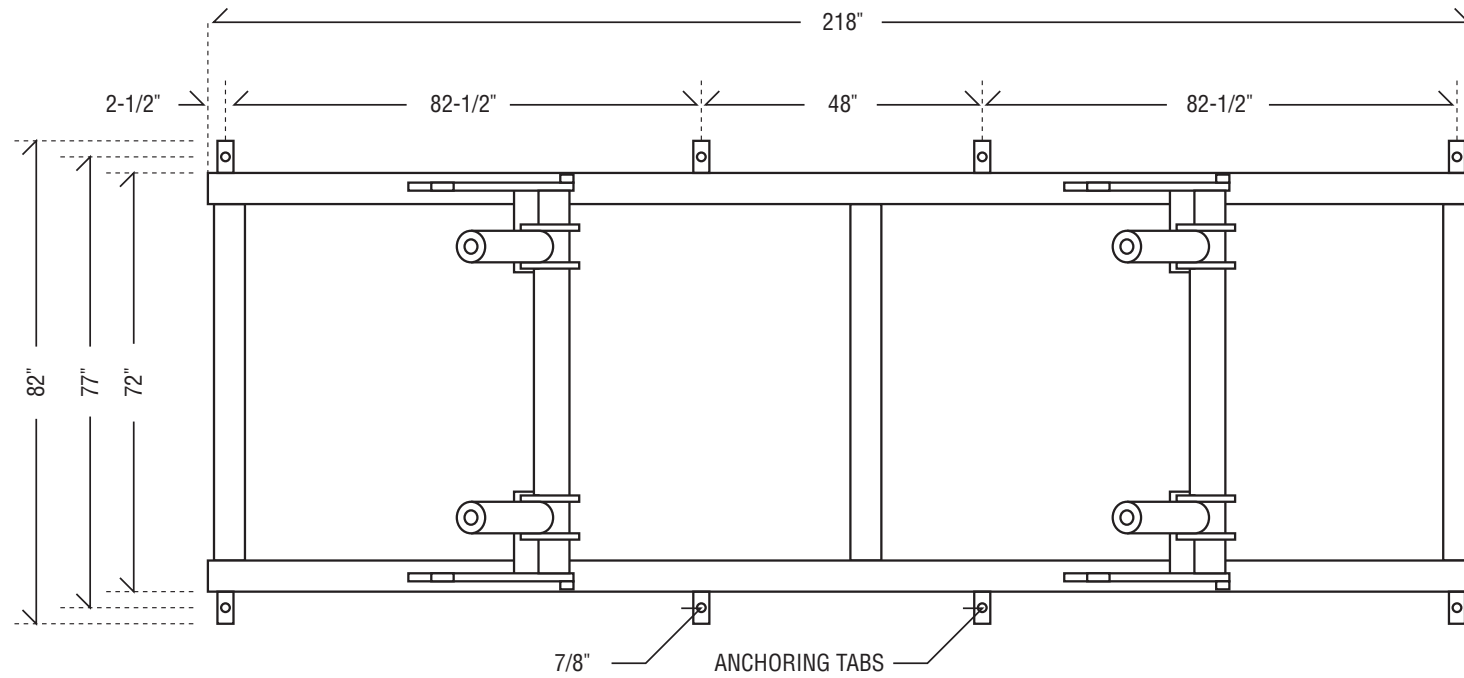


FIG.
8

BASE FRAME
DETAIL

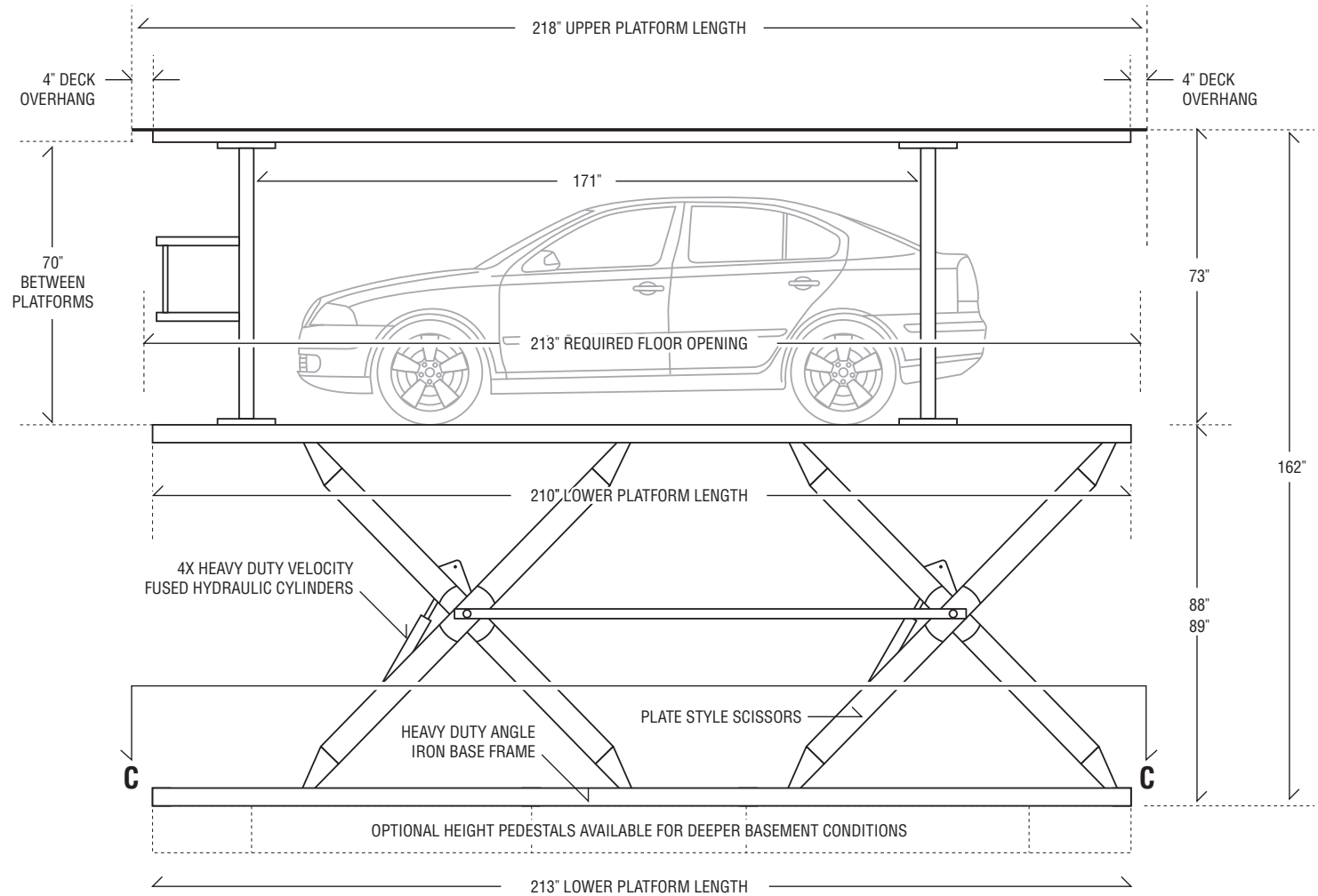


FIG.
9

SIDE ELEVATION
RAISED POSITION
PIT TOP GRADE

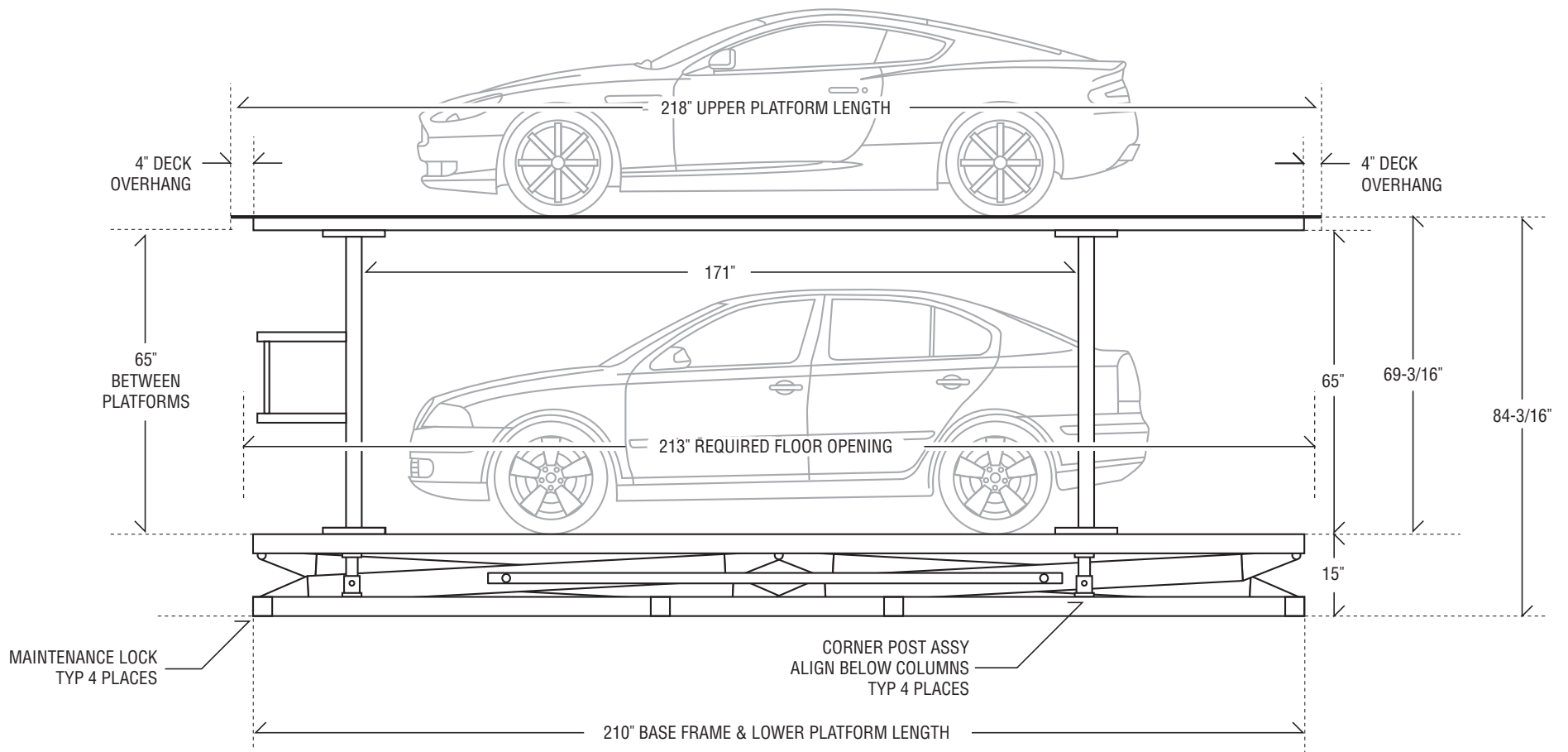


FIG. 10

SIDE ELEVATION
LOWERED POSITION

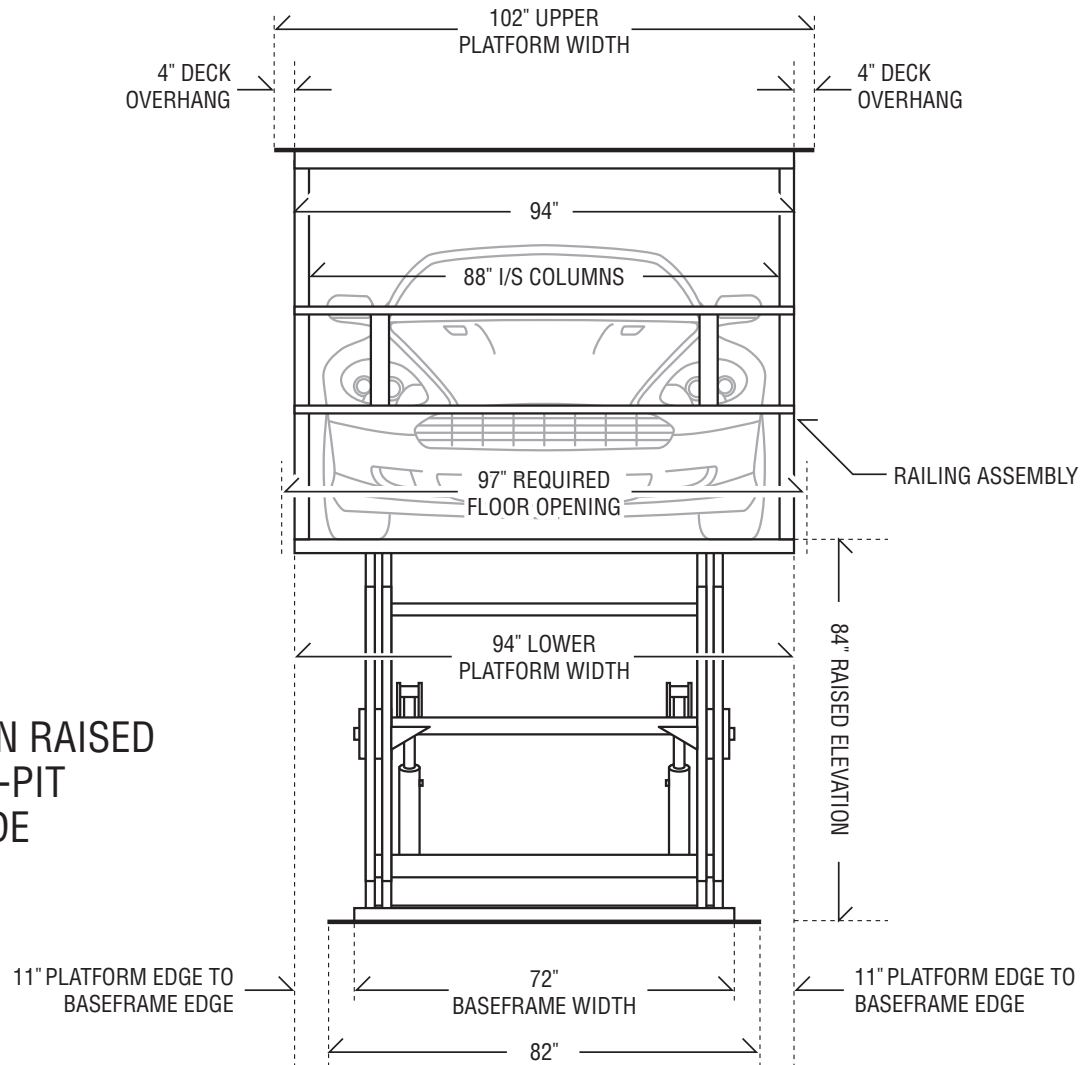


FIG.
11

ELEVATION RAISED
POSITION-PIT
TOP GRADE

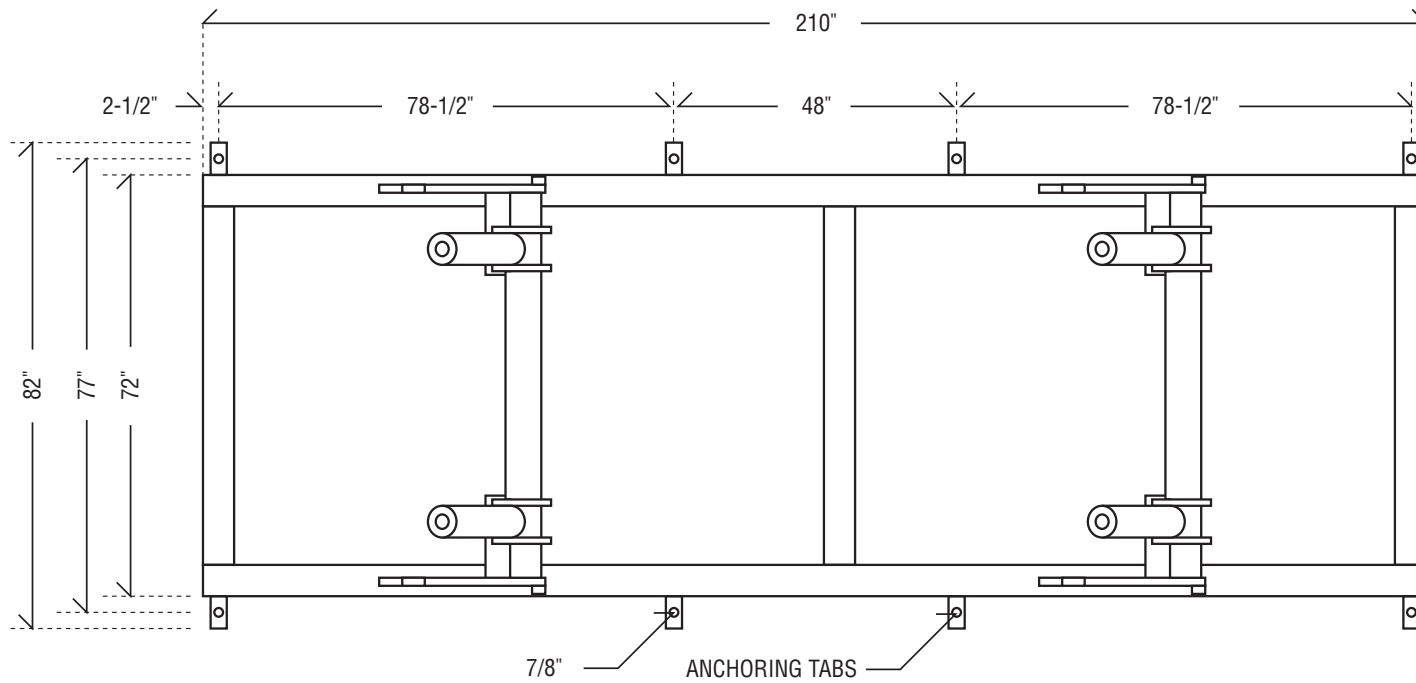


FIG. 12 BASE FRAME
DETAIL

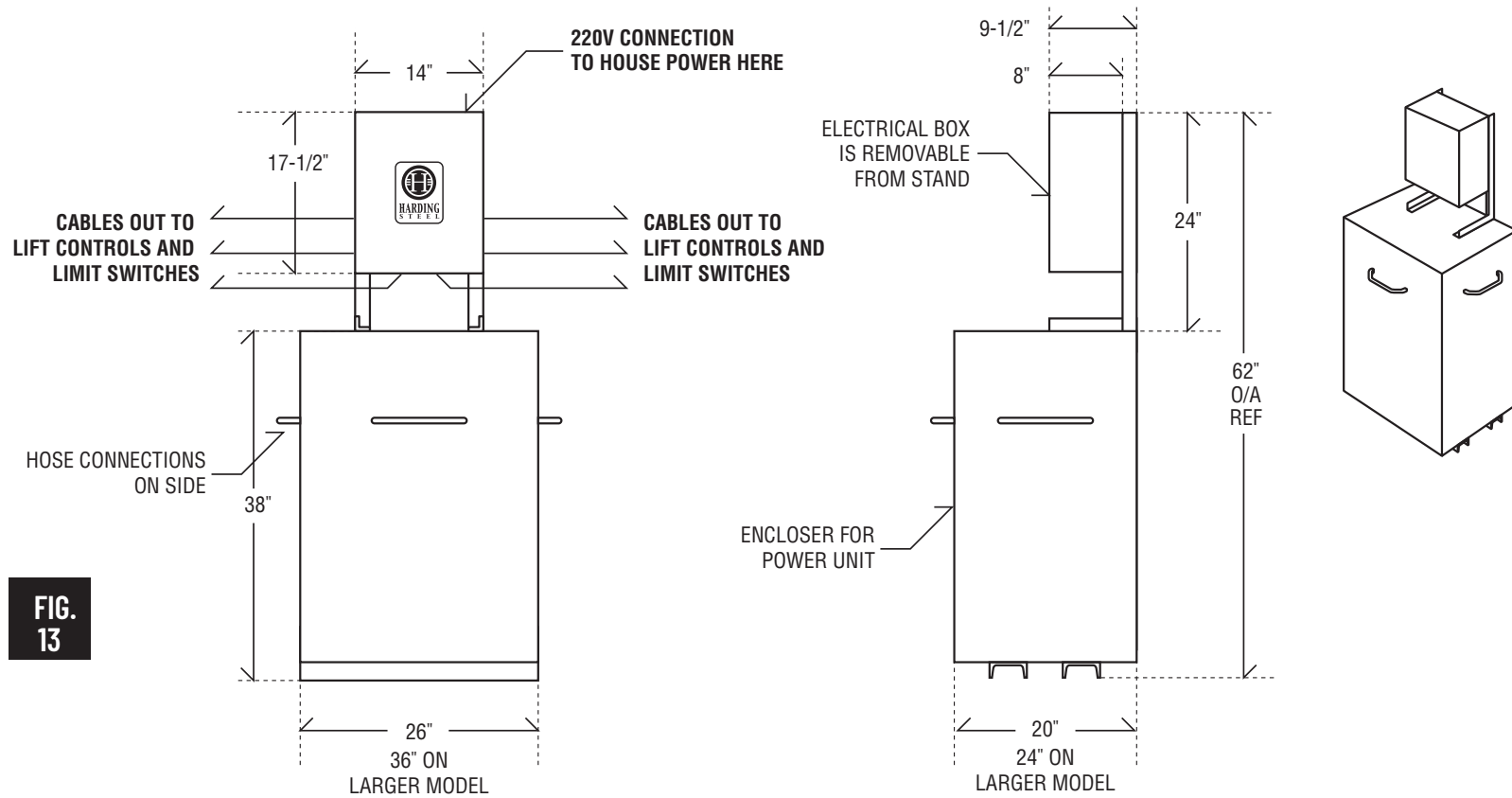
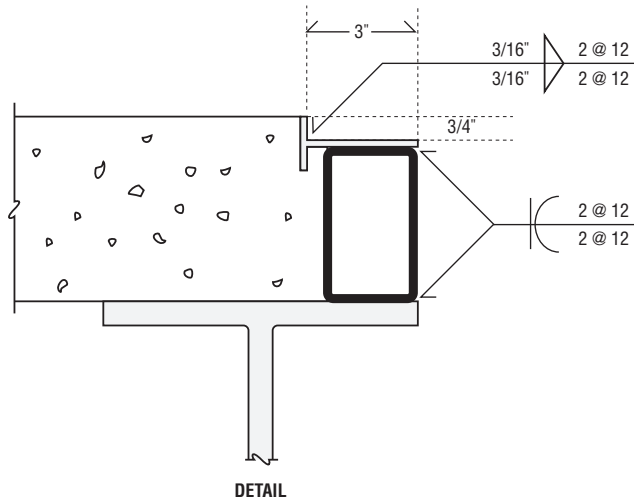
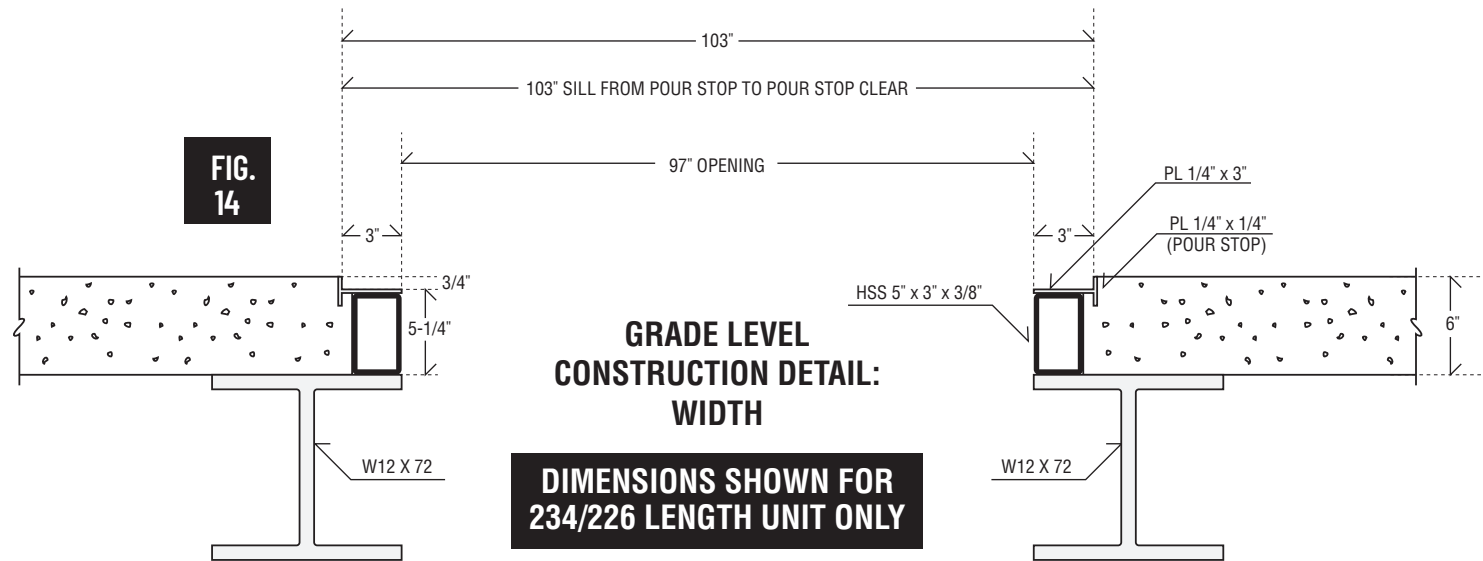
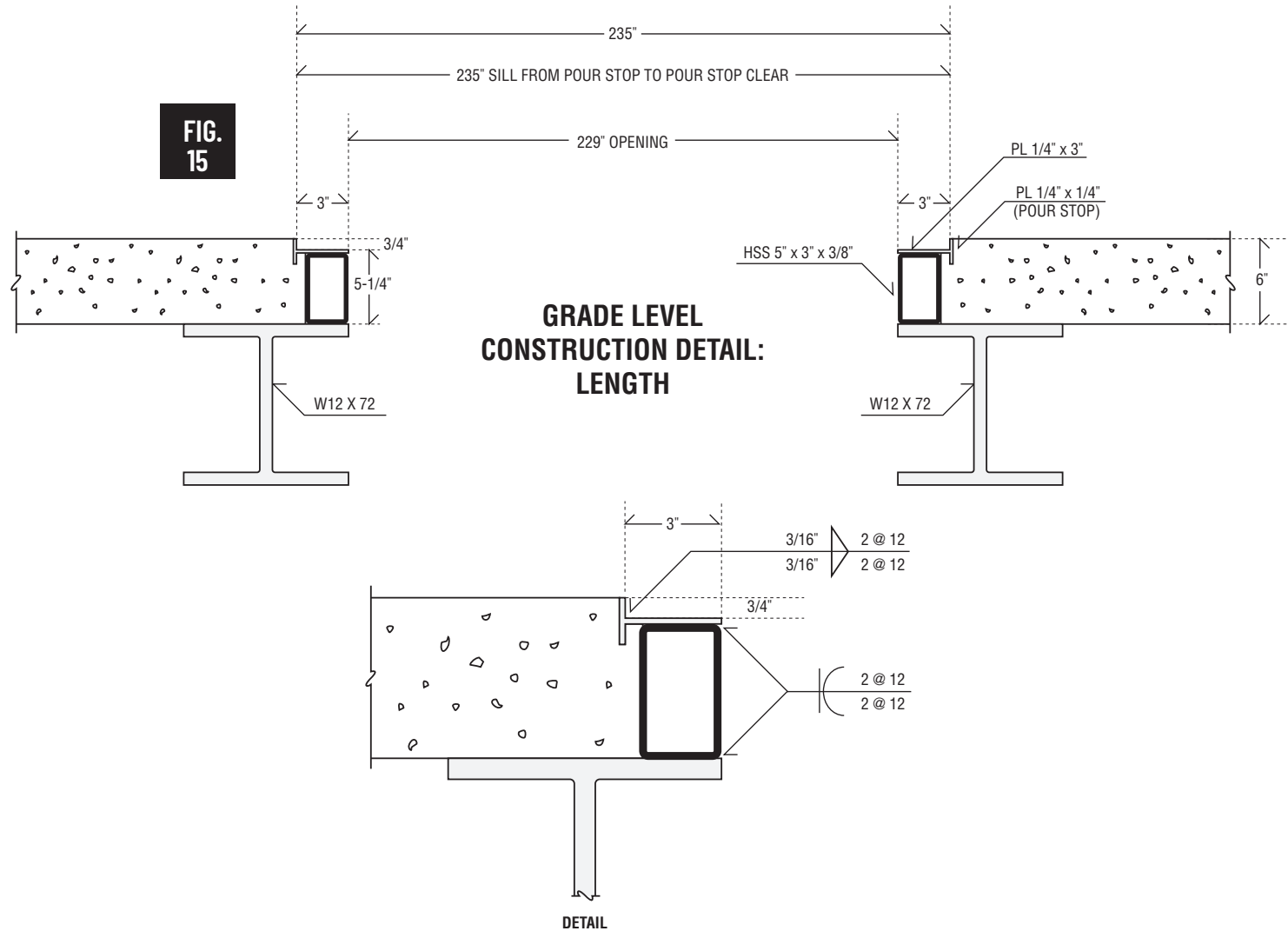


FIG. 13

EDGE DETAIL SAMPLE USING
TUBE STEEL OVER STRUCTURAL BEAM



EDGE DETAIL SAMPLE USING
TUBE STEEL OVER STRUCTURAL BEAM



STANDARD DIMENSIONS

Carparx Model	Length Designation	Upper Platform Length	Lower Platform Length	Upper Platform Width*	Lower Platform Width*	Grade Level Opening	Maximum Floor to Floor*	Interplatform Spacing*	Vehicle Weight
ST-2 Standard	234/226	234"	226"	102"	94"	97" by 229"	96" **	78"	6000 lbs
ST-2 Short	226/218	226"	218"	102"	94"	97" by 221"	88" **	70"	6000 lbs
ST-2 Extra Short	218/210	218"	210"	102"	94"	97" by 213"	84" **	66"	6000 lbs

* All dimensions subject to final shop drawings.

** Basement depth can be increased by the addition of height adjusting pedestals. Optional.

Vehicle weight limit is for lifting cars on the lower platform only. Two-car lifting option available on all models.

CARPARX™ ST-2

FEATURES

- 100% premium steel construction
- Commercial grade design and materials
- Dual scissors architecture for unsurpassed stability
- Four high capacity hydraulic cylinders
- Self-standing, self-supporting unit
- Suitable for indoor or outdoor installation
- 220V high flow hydraulic power pack and controls
- Oversized all diamond-plate steel platforms
- Accommodates full size SUVs on both levels
- Available in three models (Sedan, Extra, SUV)
- Quality epoxy paint finish throughout
- Optional galvanized platforms for harsh weather climates

INTEGRATED HYDRAULIC PUMP UNIT:

- All-steel, painted enclosure
- 5.0 or 7.5 single phase high performance pump motor
- Pre-configured electronic control panel
- Fully pre-wired controls and limit switch kit
- Self-contained oil reservoir
- Two-car lifting upgrade option

REQUIREMENTS AND CAPACITIES:

Ceiling clearance requirements (to raise unit with upper car in place)

Standard: 73" plus height of upper car

Short: 79" plus height of upper car

Extra Short: 85" plus height of upper car

Drive-in clearance (between rear posts): 88"

Weight Capacities:

Lower car: 6,000 lbs.

Upper car: 6,000 lbs

Approximate machine weight: 8,000 lbs.

Electrical Power Requirement: 220V, single-phase, 60 amp circuit

Shipping and Installation:

Shipped by common carrier to most locations in US and Canada

Installation options available

SAFETY

- Platforms are free of all trip hazards, pit gaps, or protruding columns
- Key-operated control switch for security and safety
- Hydraulic velocity fuses on all cylinders
- Automatic shut-off if operator releases the key-switch
- Wiring block for integrating safety interlock devices
- Front railing protects garage walls and bumpers
- Optional ceiling sensor kit available
- Emergency e-stops
- Operating alert light

WARRANTY

One year electrical, two year mechanical, five year structural